

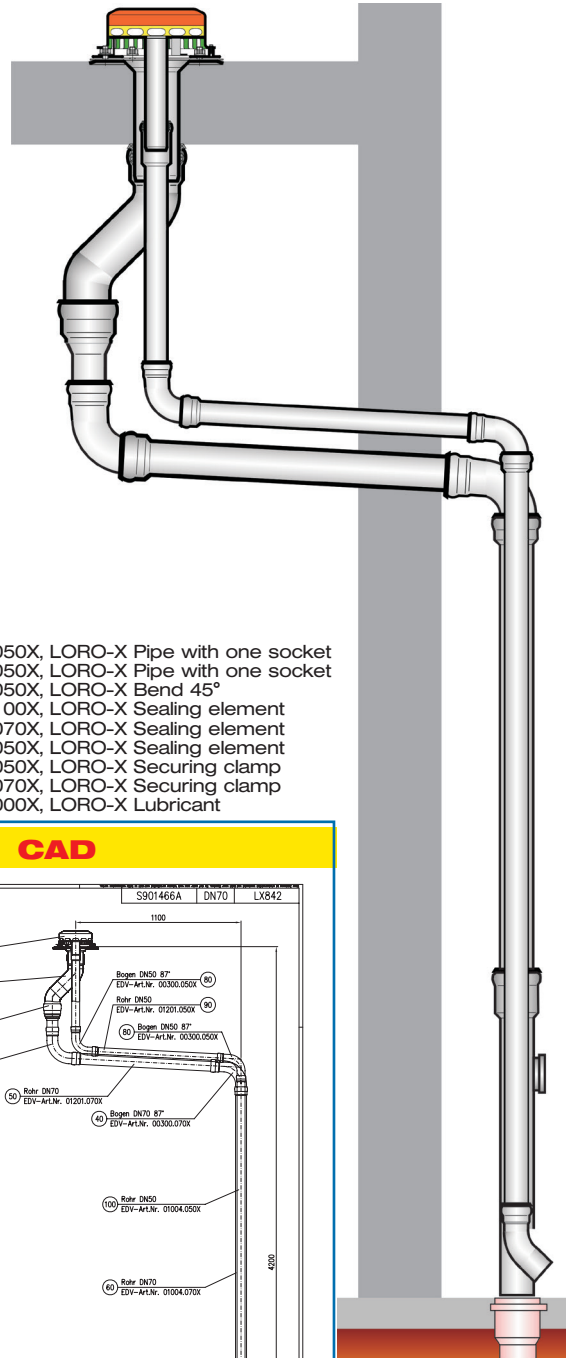
Specification sheet LX 842

Roof drainage

Main-emergency-combination

Main-emergency-combination

Siphonic flow	Siphonic flow
Silent	Silent Power
Discharge rate: 9.0 l/s	Discharge rate: 12.0 l/s
Water height: 40 mm	Water height: 75 mm
Diameter: DN 100	Diameter: DN 50
LX-Number: LX 842	LX-Number: LX 842
Weir height: 0 mm	Weir height: 40 mm
Drain: not ventilated	Drain: not ventilated
Downpipe: not ventilated	Downpipe: not ventilated
Downpipe height: min 4.2 m	Downpipe height: min 4.2 m
Drainage: in sewer	Drainage: into the open
Flange: clamping flange	Flange: clamping flange

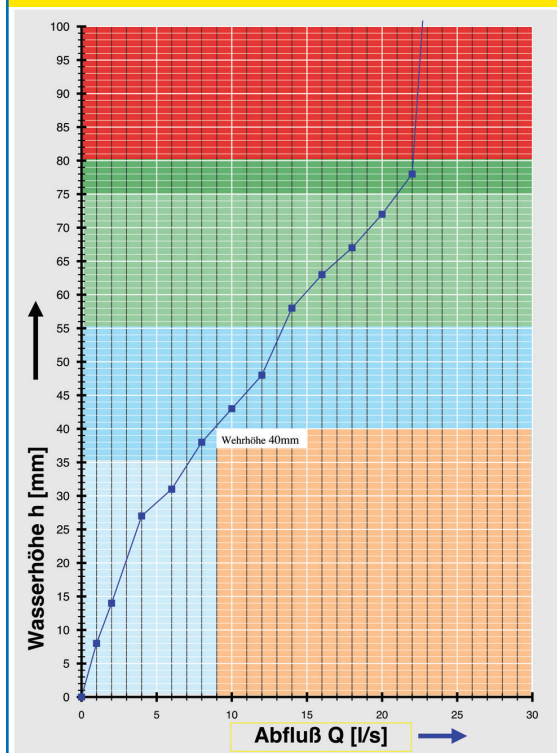


LX 842 Piece list

- 1 x Art.-No. Choose drain on page 2!
- 1 x Art.-No. 05048.DB0X, Main-emergency-combination discharge piece
- 1 x Art.-No. 19602.DC0X, LORO-X DRAINJET Adjuster
- 2 x Art.-No. 00300.070X, LORO-X Bend 87°
- 1 x Art.-No. 01201.070X, LORO-X Pipe with one socket
- 1 x Art.-No. 01004.070X, LORO-X Pipe with one socket
- 1 x Art.-No. 05510.070X, LORO-X Standpipe
- 2 x Art.-No. 00300.050X, LORO-X Bend 87°

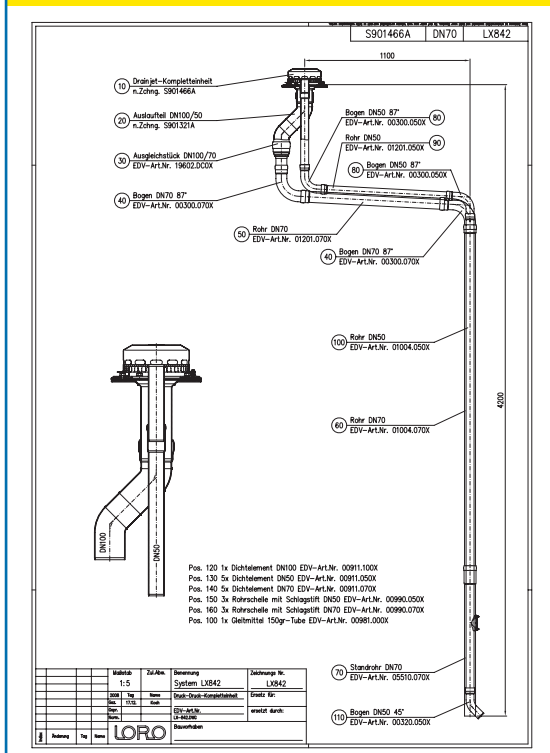
- 1 x Art.-No. 01201.050X, LORO-X Pipe with one socket
- 1 x Art.-No. 01004.050X, LORO-X Pipe with one socket
- 1 x Art.-No. 00320.050X, LORO-X Bend 45°
- 1 x Art.-No. 00911.100X, LORO-X Sealing element
- 5 x Art.-No. 00911.070X, LORO-X Sealing element
- 5 x Art.-No. 00911.050X, LORO-X Sealing element
- 3 x Art.-No. 00806.050X, LORO-X Securing clamp
- 3 x Art.-No. 00806.070X, LORO-X Securing clamp
- 1 x Art.-No. 00986.000X, LORO-X Lubricant

hQ - Head discharge curve



System power



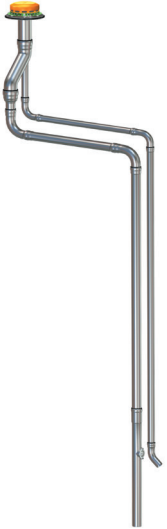
CAD



System shape

Water height	mm	5	10	15	20	25	30	35	40	45	50	55	60	65	70	75	
Discharge	l/s			2,0	3,0	3,8	5,5	7,0	9,0	10,5	12,2	13,5	15,0	17,0	19,0	21,0	
		Silent								Silent Power							

LORO-X Main-emergency-combination roof drain system Choose drain for piece list on page one!

<p>without thermal insulation</p> <p>LX842-5X</p> <p>Drain: Art.-No. 21529.100X</p> <p>one-piece with clamping flange</p> 	<p>with thermal insulation</p> <p>LX842-8X</p> <p>Drain: Art.-No. 21528.100X</p> <p>two-piece with clamping flange</p> 	
--	---	---

System parts		
<p>LORO-X Discharge piece made of galvanized steel, DN 100/50 Art.-No. 05048.DB0X</p> 	<p>LORO-X Adjuster made of galvanized steel, DN 100/70 Art.-No. 19602.DC0X</p> 	<p>LORO-X Pipe with one socket made of galvanized steel, DN 50 1000 mm long Art.-No. 01201.050X 2500 mm long Art.-No. 01004.050X</p> <p>made of galvanized steel, DN 70 1000 mm long Art.-No. 01201.070X 2500 mm long Art.-No. 01004.070X</p> 

System parts		
<p>LORO-X Bend 87°, made of galvanized steel, DN 50 Art.-No. 00300.050X</p> <p>45°, made of galvanized steel, DN 50 Art.-No. 00320.050X</p> <p>87°, made of galvanized steel, DN 70 Art.-No. 00300.070X</p> 	<p>LORO-X Rain standpipe with cleaning pipe, made of galvanized steel, DN 70 Art.-No. 05510.070X Weight: 3.0 kg</p> 	<p>LORO-X Sealing elements DN 50 Art.-No. 00911.050X DN 70 Art.-No. 00911.070X</p>  <p>LORO-X Securing clamps DN 50 Art.-No. 00806.050X DN 70 Art.-No. 00806.070X</p> 

Heat tracing: Lorowerk recommends to check all drains and pipes with regard to their frost-sensibility. Where necessary, these parts should be upgraded with heat tracing.